

# Installation Instructions

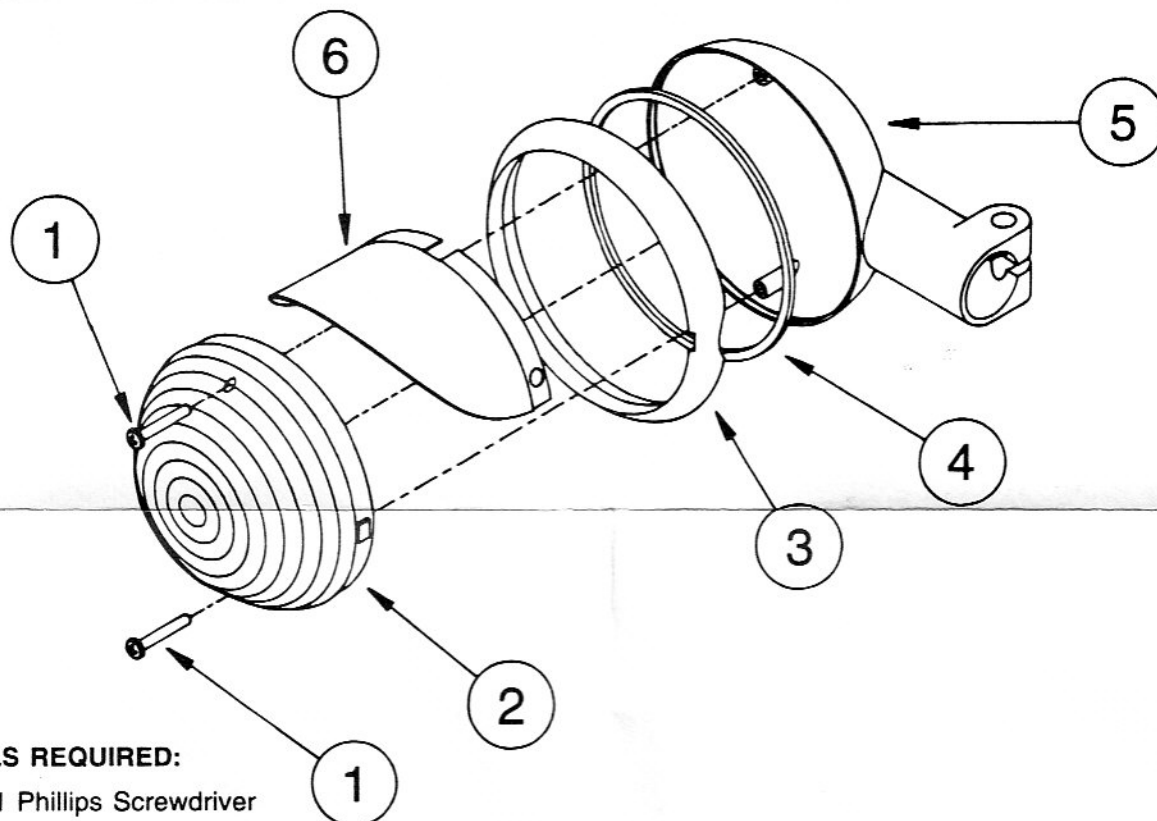
## Turn Signal Visors for Royal Star STR-4NK58-30-00



Please read and understand these instructions completely before installation to avoid any injury to yourself or damage to the motorcycle and/or accessory.

**DEALER:**

These instructions contain important information for future reference and must be given to the customer.



**TOOLS REQUIRED:**

1 – #1 Phillips Screwdriver

**INSTALLATION:**

1. Remove 3mm screws (item 1) from lens (item 2). Remove lens, then lens bezel (item 3). Check gasket (item 4) to make sure it is properly positioned in lamp housing (item 5) and not torn.
2. Install lens bezel with relief for lamp housing support positioned over support. Install visor (item 6) by slightly compressing edges together and sliding inside of lens bezel.

**NOTE:** Position cutout in visor over threaded boss in lamp housing for horizontal lamp mounting (as in illustration). Position cutout to match index relief in lens bezel for vertical lamp mounting (i.e., Passing Lamp application).

3. Carefully position lens with index tab over index relief in lens bezel, ensuring that visor is properly positioned. Press lens down till it snaps into place and install screws removed in step 1. Tighten carefully so that you do not crack the lens.

**CARE AND CLEANING:**

Refer to your owner's manual.

**CUSTOMER SERVICE:**

See your Yamaha dealer.